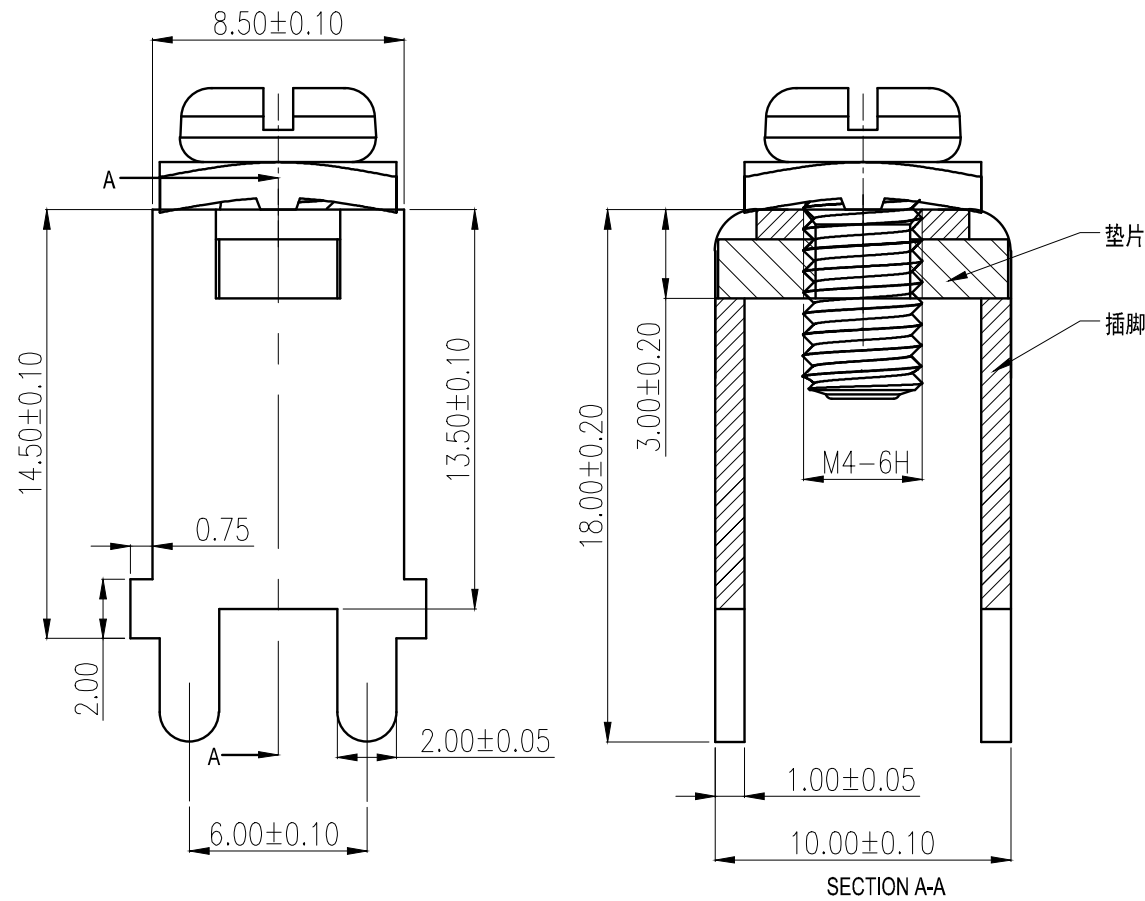
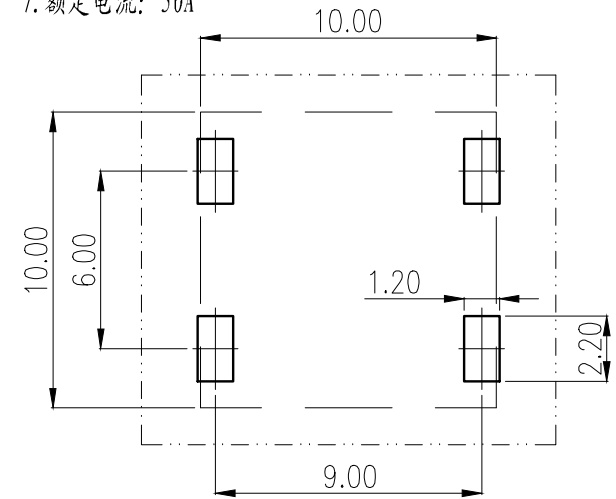


REVISION RECORD			
REV.	CONTENT	MOD.	DATE
△	初版发行		



### 技术要求:

1. 材质: 黄铜, 厚度1mm.
2. 打铜底2um, 镀镍2um, 镀锡4um.
3. 螺牙扭力矩达到1.8N.m以上, 符合M4-6H的螺纹规检测, 螺牙不能有乱牙、豁牙、滑牙现象.
4. 不得有变形, 毛刺等缺陷.
5. 方垫铆好后不得有松动现象.
6. 适用线规格: 24-10AWG
7. 额定电流: 50A



	pitch dimension			Nominal dimension					— /
	over 0 to 6	over 6 to 10	over 10 to 24	over 0 to 30	over 30 to 60	over 60 to 100	over 100 to 150	0.05/10	
variable range	0 to 6	6 to 10	10 to 24	0 to 30	30 to 60	60 to 100	100 to 150	0.05/10	
Tolerance	±0.1	±0.15	±0.25	±0.2	±0.3	±0.5	±0.7	±1.0	

3	4*8-8*8环保蓝白锌	4*8-8*8R0SHLXB				环保蓝白锌
2	方形垫片					碳钢
1	E6.0*10.0*18.0/4*M4-T-1					黄铜 镀雾锡
NO.	NAME OF PART	NO. OF PART	Q'TY	MATERIAL	NOTES	
DES.	ZJL	DATE 2021/09/17	UNITS mm	THIRD ANGLE PROJECTION		SHEET
CHK.		DATE	SIZE A4	⊕		1 of 1
APP.		DATE	SCALE 1:1	DWG NO.	SP-2-7002001	REV: T0
上海有乐电气有限公司 Shanghai YouLe Electric CO.,LTD				TITLE		E6.0*10.0*18.0/4*M4/8*8-T-1 E6.0*10.0*18.0/4*M4/8*8-T-1产品